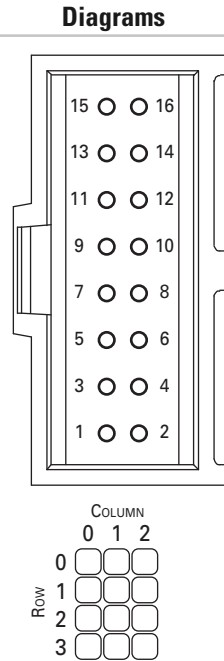


Pin-Out Configurations:

Pin No.	Matrix	RS-232	Wiegand
1	+9 to 24 VDC	+9 to 24 VDC	+9 to 24 VDC
2	Aux. Out	Aux. Out	Aux. Out
3	—	TX Data	—
4	—	—	—
5	Row 0	—	Data 0
6	Row 1	—	Data 1
7	Row 2	—	—
8	Row 3	—	—
9	Column 0	—	—
10	Column 1	—	—
11	Column 2	—	—
12	—	—	—
13	Red LED*	Red LED*	Red LED*
14	Green LED*	Green LED*	Green LED*
15	Ground	Ground	Ground
16	Ground	Ground	Ground



Back view

(mates with Molex® 16-pin female connector part number 90142-0016, not included)

* Please note, the Red and Green LED's are externally controlled by pulling to ground.

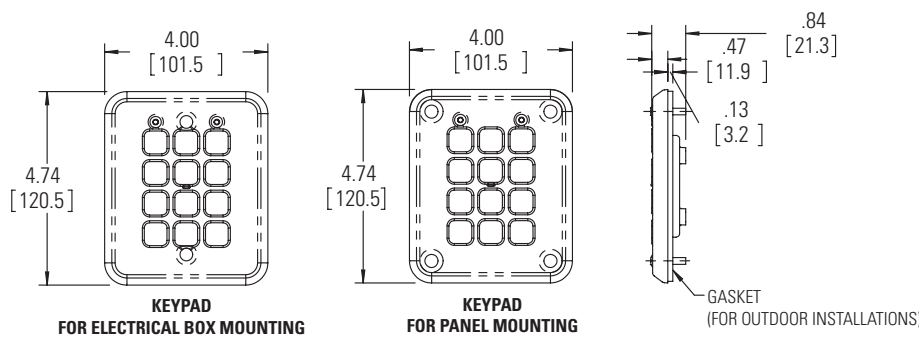
Sensitivity and Audio Settings:

Within the first 8 seconds after power up, press one of the following keys (see Key Map above) to select the sensitivity and audio settings. If one of these keys are not pressed during the first 8 seconds after power up, the last setting prior to power down will be used.

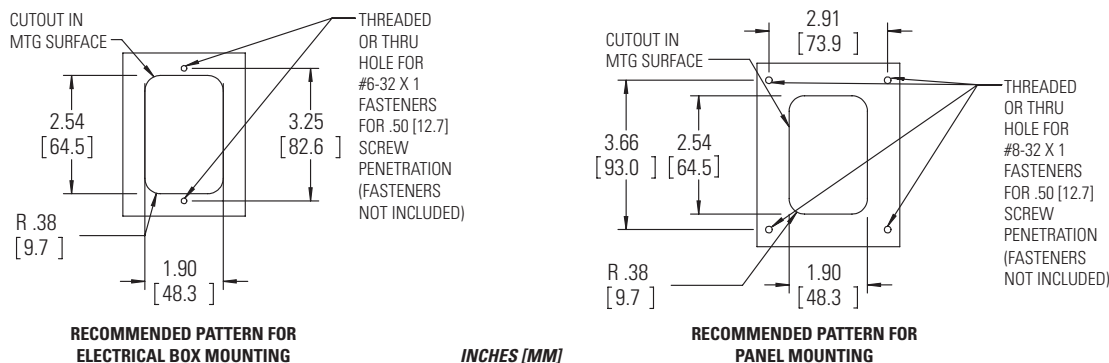
- Row 0, Column 0** — Low sensitivity (heavier touch), Sound On
- Row 1, Column 0** — Low sensitivity (heavier touch), Sound Off
- Row 0, Column 1** — Med sensitivity (standard touch), Sound On**
- Row 1, Column 1** — Med sensitivity (standard touch), Sound Off
- Row 0, Column 2** — High sensitivity (lighter touch), Sound On
- Row 1, Column 2** — High sensitivity (lighter touch), Sound Off

** Default Setting

Dimensions / Mounting Diagrams:



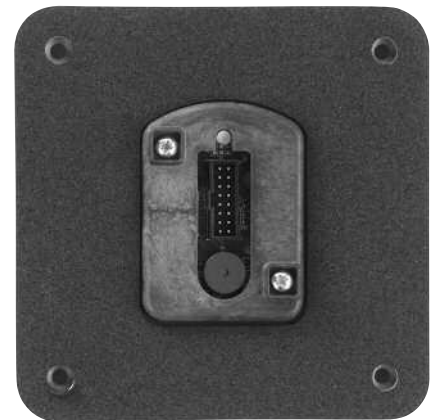
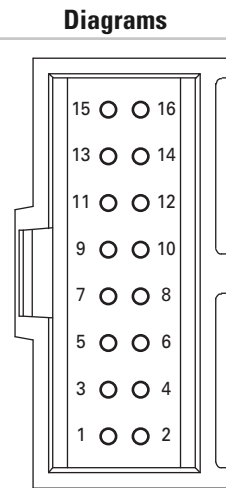
For outdoor installations use the sealing washers and gasket (provided), and a weatherproof backbox, seal the wire entry locations with silicone and provide a drain hole. In addition, use anti-oxidant grease for wire harness connections.



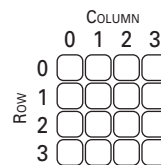
INCHES [MM]

Pin-Out Configurations:

Pin No.	Matrix	RS-232	Wiegand
1	+9 to 24 VDC	+9 to 24 VDC	+9 to 24 VDC
2	Aux. Out	Aux. Out	Aux. Out
3	—	TX Data	—
4	—	—	—
5	Row 0	—	Data 0
6	Row 1	—	Data 1
7	Row 2	—	—
8	Row 3	—	—
9	Column 0	—	—
10	Column 1	—	—
11	Column 2	—	—
12	Column 3	—	—
13	Red LED*	Red LED*	Red LED*
14	Green LED*	Green LED*	Green LED*
15	Ground	Ground	Ground
16	Ground	Ground	Ground



Back view



(mates with Molex® 16-pin female connector part number 90142-0016, not included)

* Please note, the Red and Green LED's are externally controlled by pulling to ground.

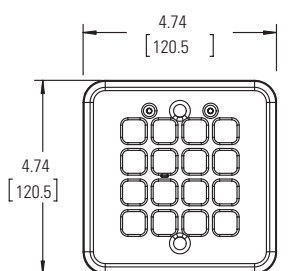
Sensitivity and Audio Settings:

Within the first 8 seconds after power up, press one of the following keys (see Key Map above) to select the sensitivity and audio settings. If one of these keys are not pressed during the first 8 seconds after power up, the last setting prior to power down will be used.

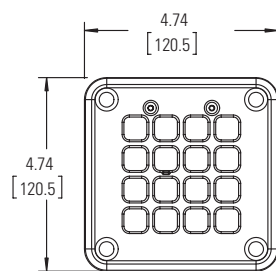
- Row 0, Column 0** — Low sensitivity (heavier touch), Sound On
- Row 1, Column 0** — Low sensitivity (heavier touch), Sound Off
- Row 0, Column 1** — Med sensitivity (standard touch), Sound On**
- Row 1, Column 1** — Med sensitivity (standard touch), Sound Off
- Row 0, Column 2** — High sensitivity (lighter touch), Sound On
- Row 1, Column 2** — High sensitivity (lighter touch), Sound Off

** Default Setting

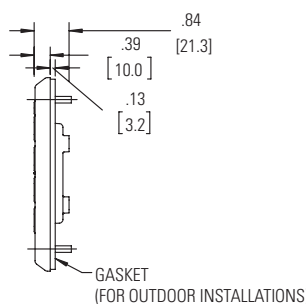
Dimensions / Mounting Diagrams:



KEYPAD FOR ELECTRICAL BOX MOUNTING

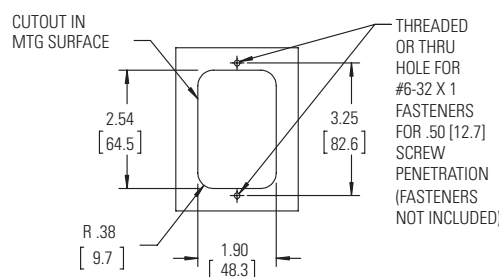


KEYPAD FOR PANEL MOUNTING

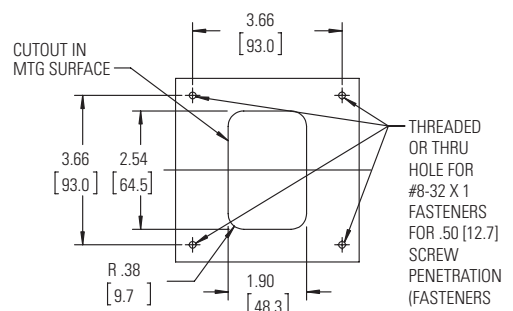


GASKET (FOR OUTDOOR INSTALLATIONS)

For outdoor installations use the sealing washers and gasket (provided), and a weatherproof backbox, seal the wire entry locations with silicone and provide a drain hole. In addition, use anti-oxidant grease for wire harness connections.



RECOMMENDED PATTERN FOR ELECTRICAL BOX MOUNTING



RECOMMENDED PATTERN FOR PANEL MOUNTING

INCHES [MM]